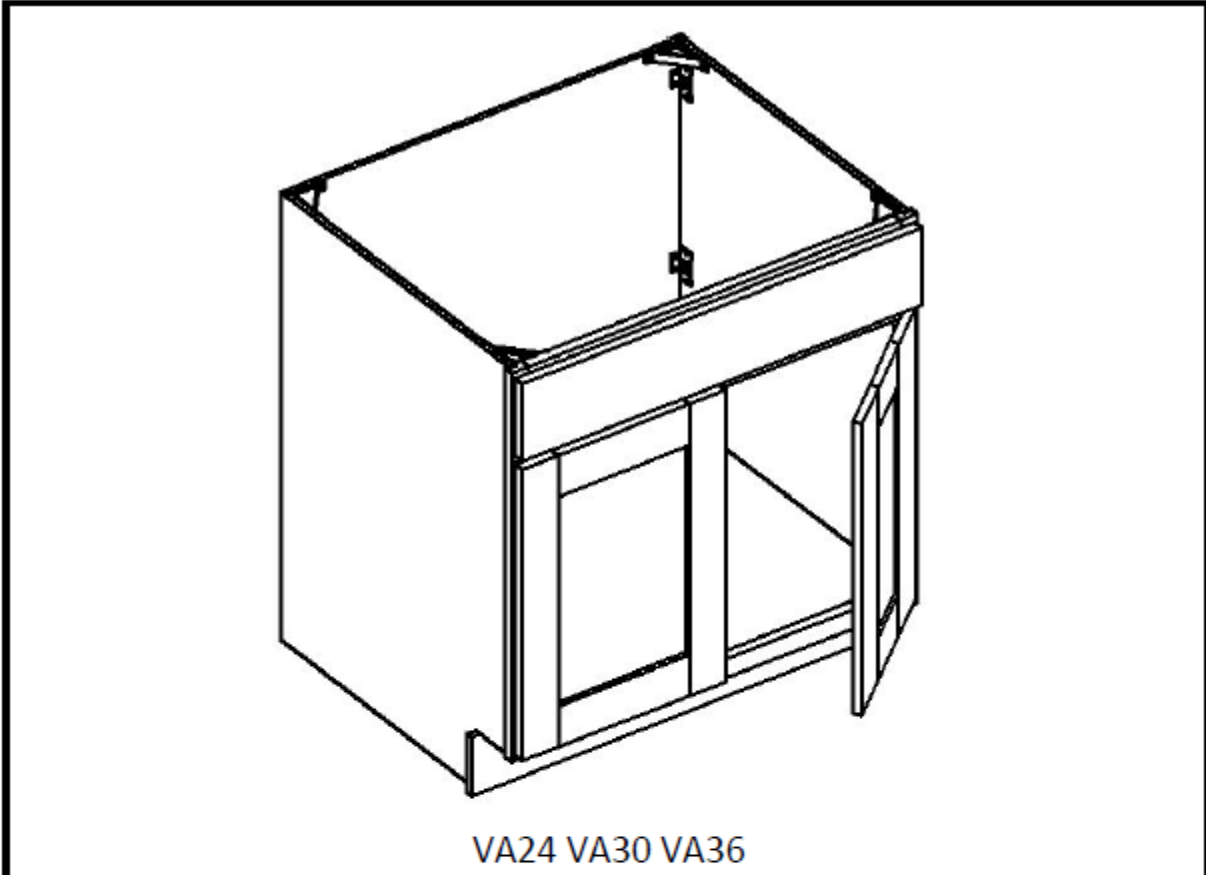


BASE CABINET ASSEMBLY INSTRUCTIONS



Required tools

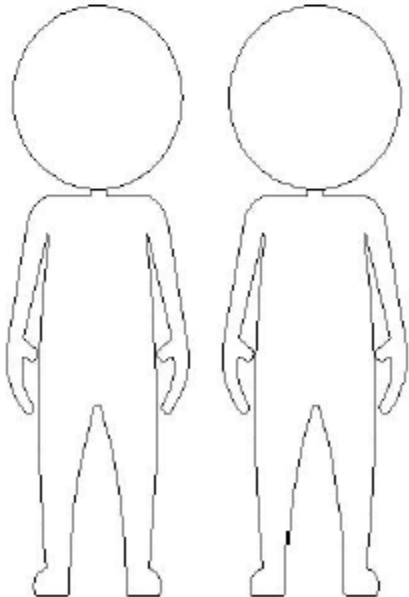


Glue



Screw Driver

Assemble with two people



Hardware

Front hardware



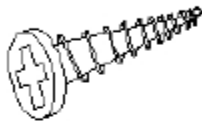
Hinge=4



Door And Drawer Bumpers=8



Screw I ($\varnothing 4*14mm$) =12



Screw II ($\varnothing 4*20mm$) =4

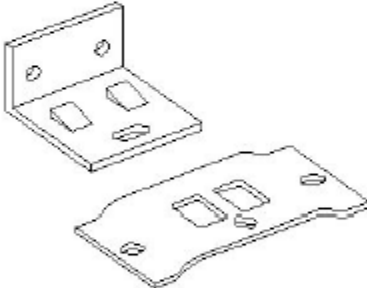


Matel Angle=2

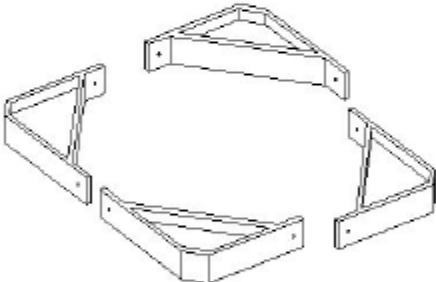


Dampor=2

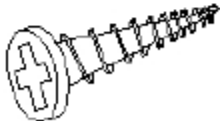
Cabinet hardware



Metal Bracket=14 Set



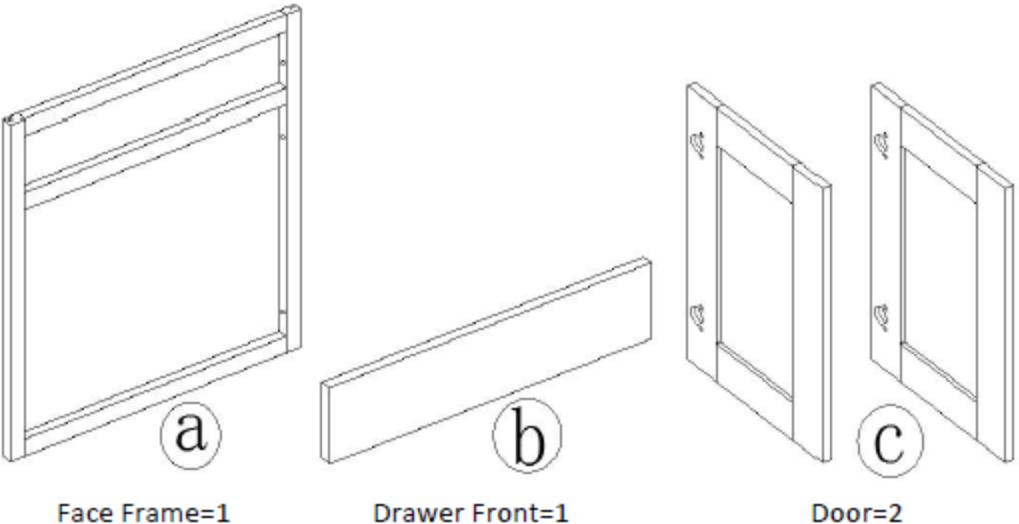
Plastic Triangle=4



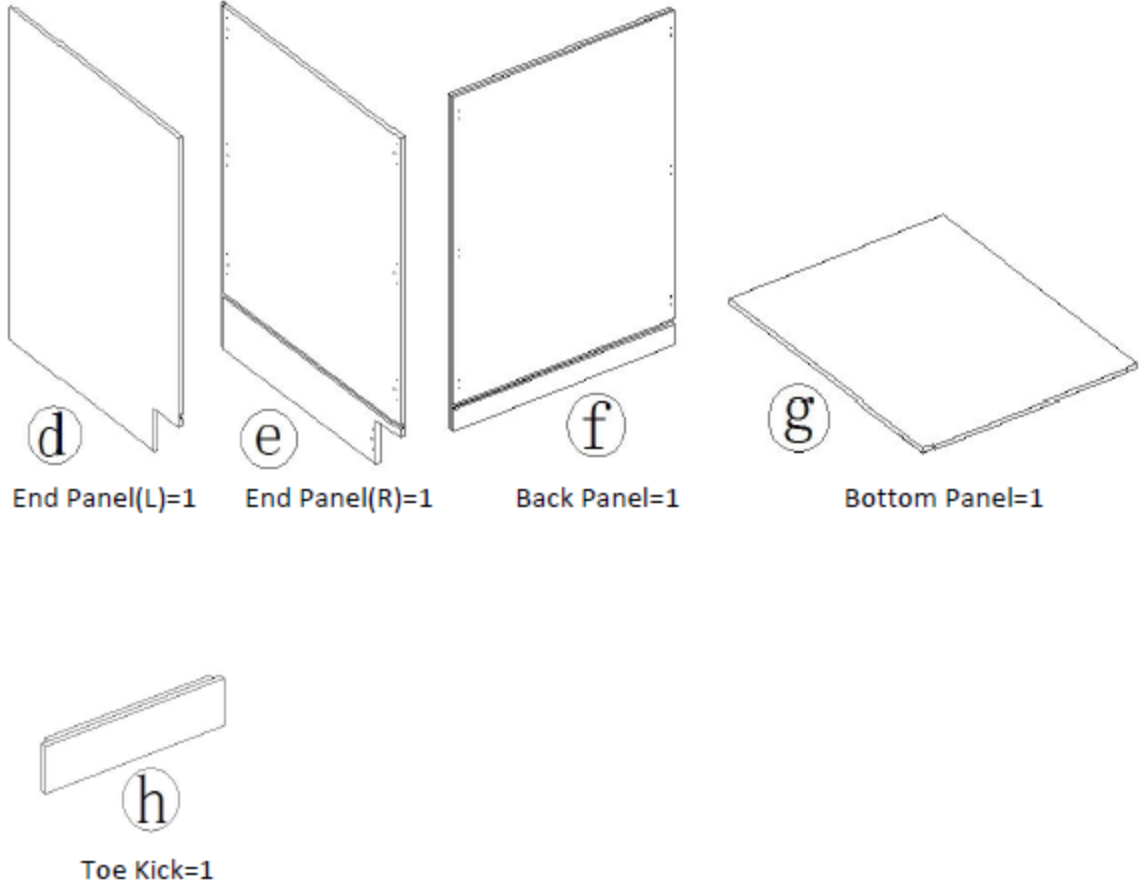
Screw III ($\varnothing 3.5*12mm$) =80

Components

Front components

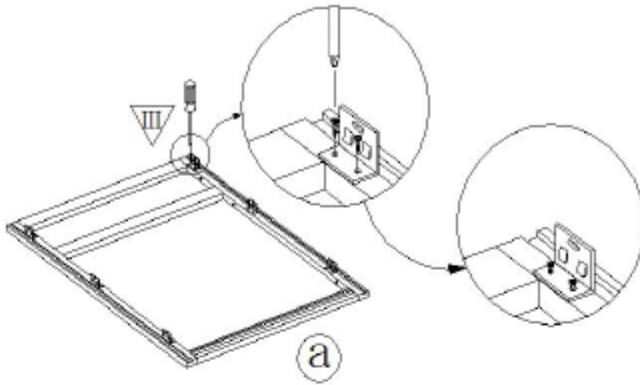


Cabinet components

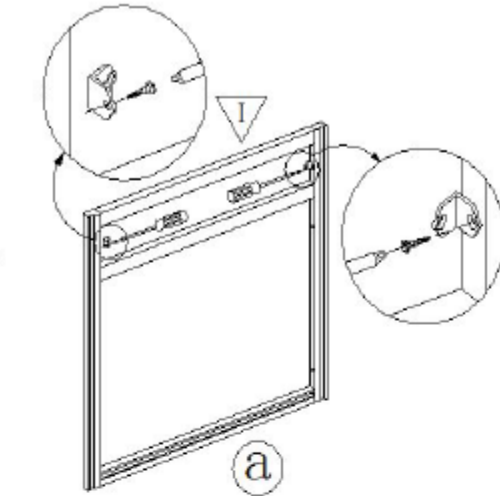


ASSEMBLY

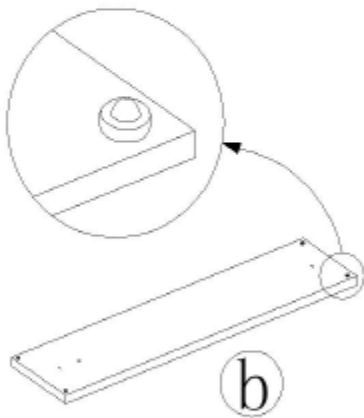
Step 1



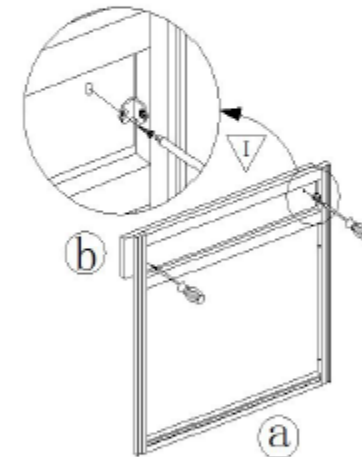
Step 2



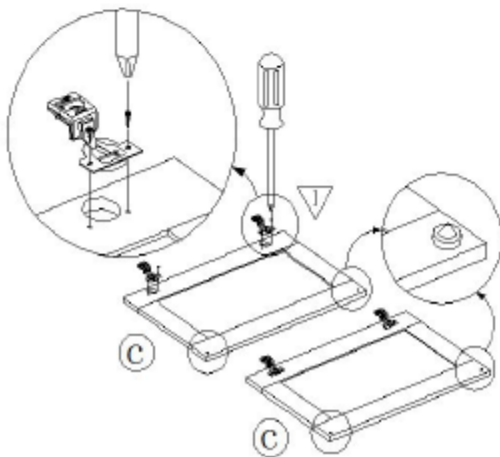
Step 3



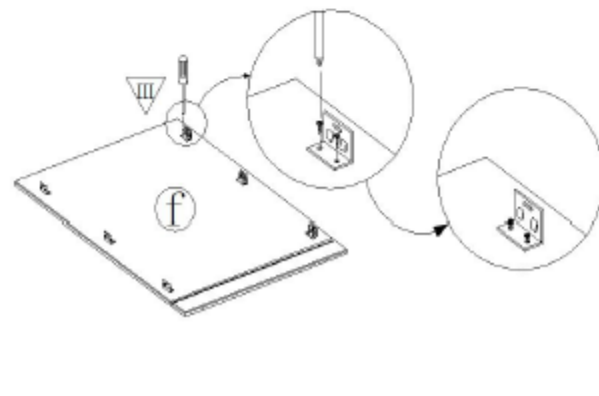
Step 4



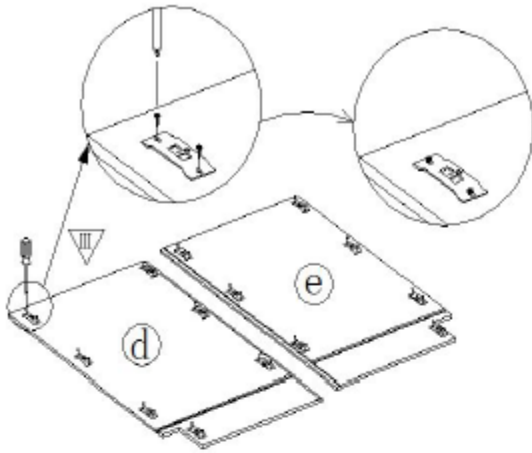
Step 5



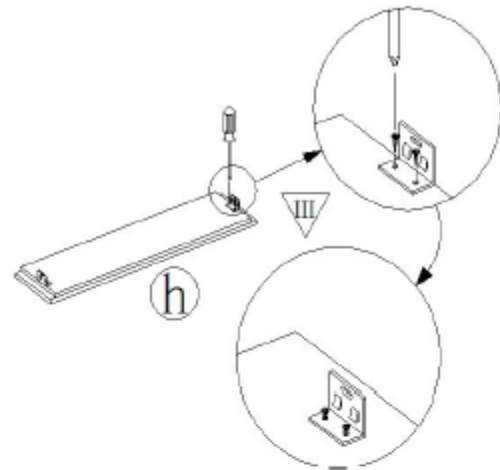
Step 6



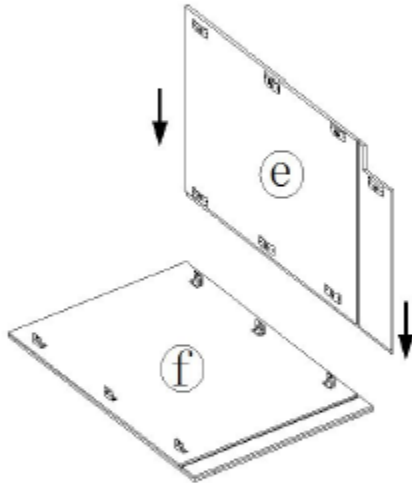
Step 7



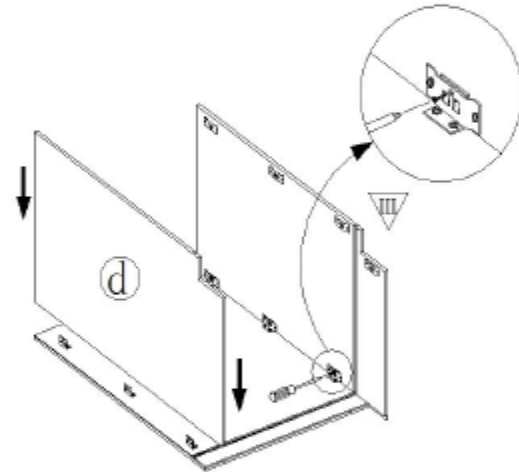
Step 8



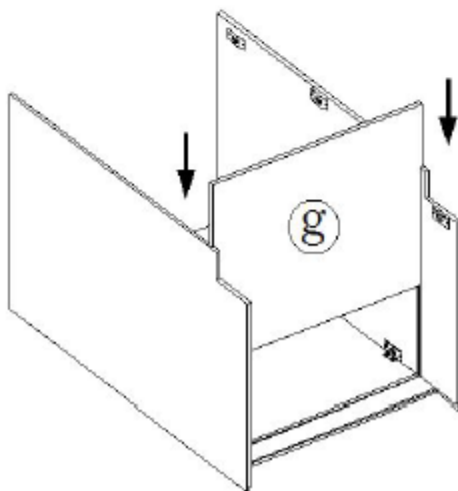
Step 9



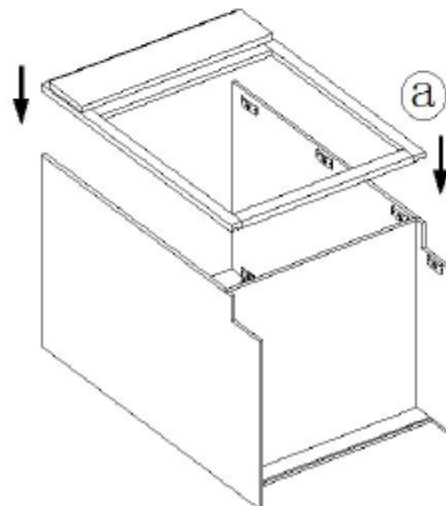
Step 10



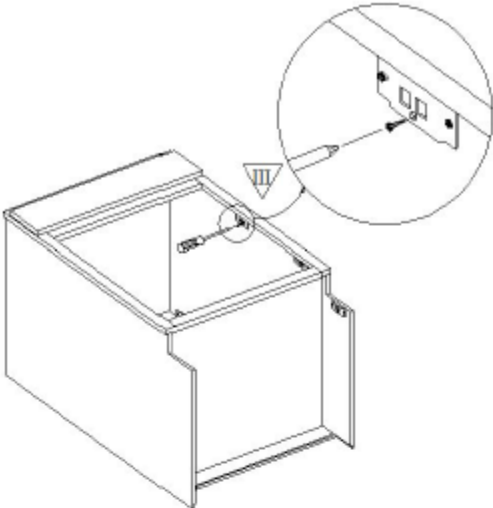
Step 11



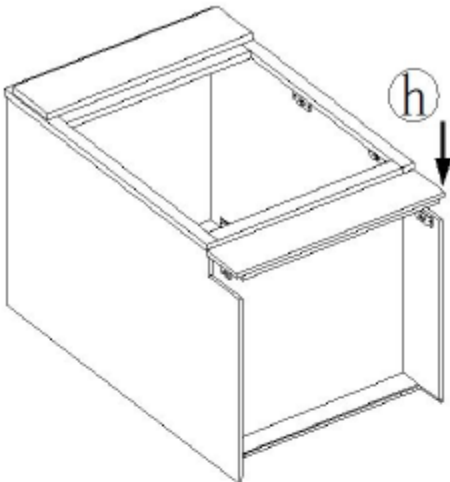
Step 12



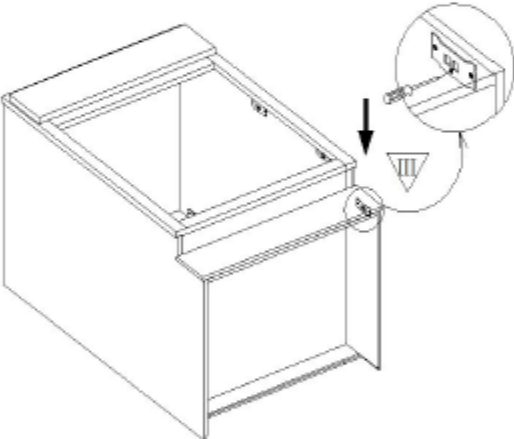
Step 13



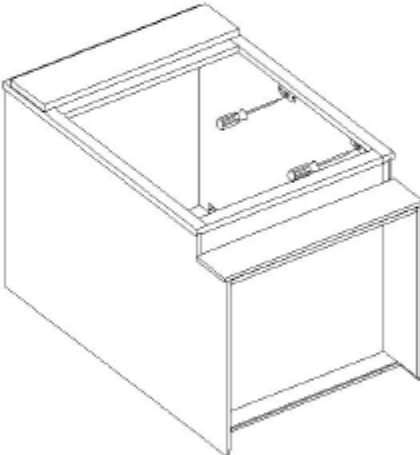
Step 14



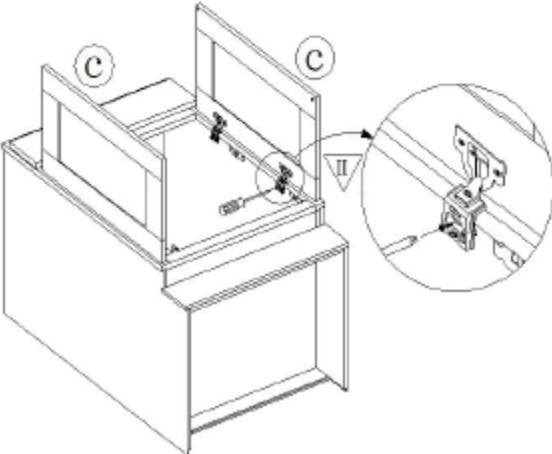
Step 15



Step 16



Step 17



Step 18

