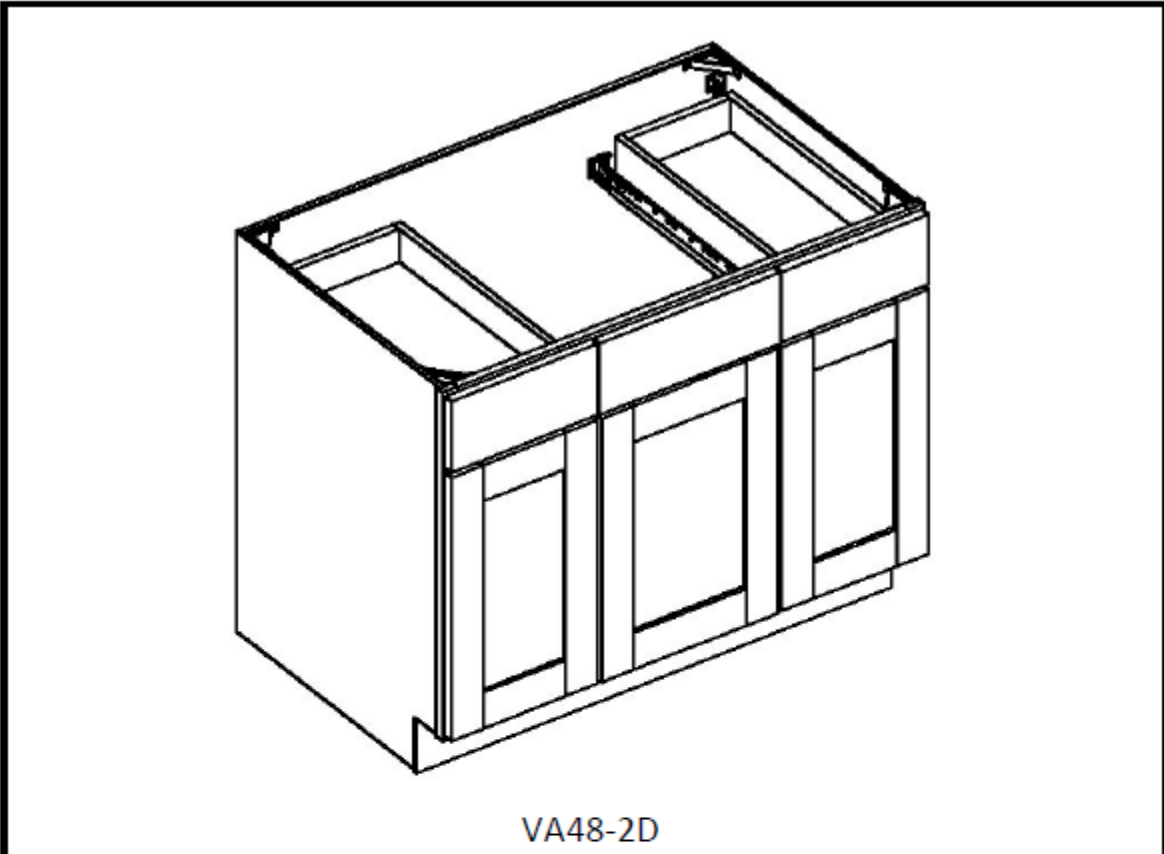


BASE CABINET ASSEMBLY INSTRUCTIONS



VA48-2D

Required tools

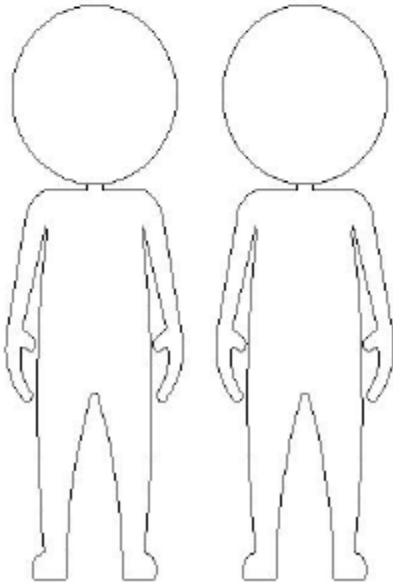


Glue



Screw Driver

Assemble with two people



Hardware

Front hardware



Hinge=6



Door And Drawer Bumpers=14



Screw I (\varnothing 4*14mm) =16



Screw II (\varnothing 4*20mm) =14



Matel Angle=2



Dampor=3

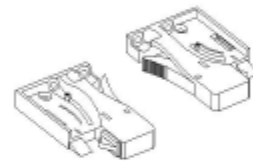
Drawer hardware



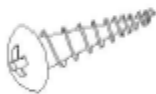
Runner=2 Set



Runner Support Back=4



Runner Support Front=4



Screw III (\varnothing 4*12mm) =16



Screw IV (\varnothing 4*16mm) =12

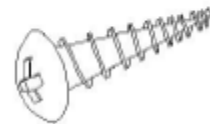
Cabinet hardware



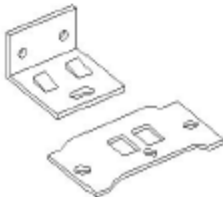
Wood Dowel(8*40mm)=16



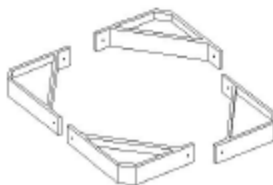
Screw V (\varnothing 3.5*12mm) =100



Screw VI (\varnothing 4*25mm) =8



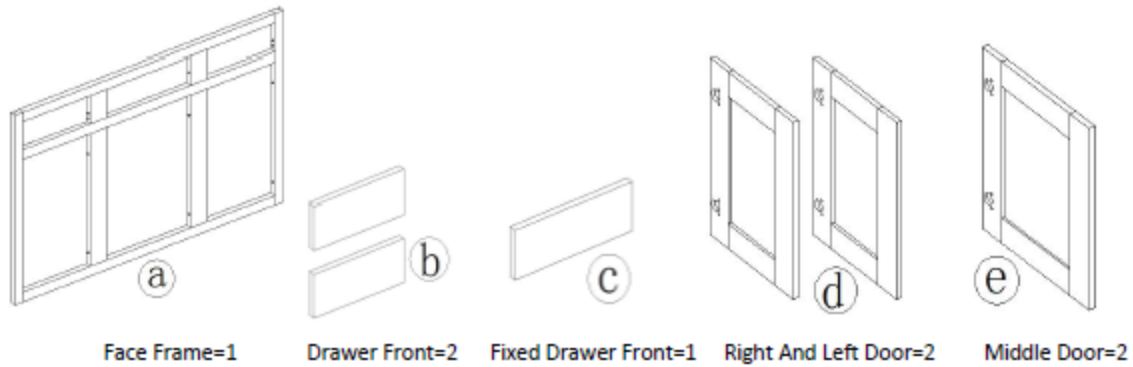
Metal Bracket=18 Set



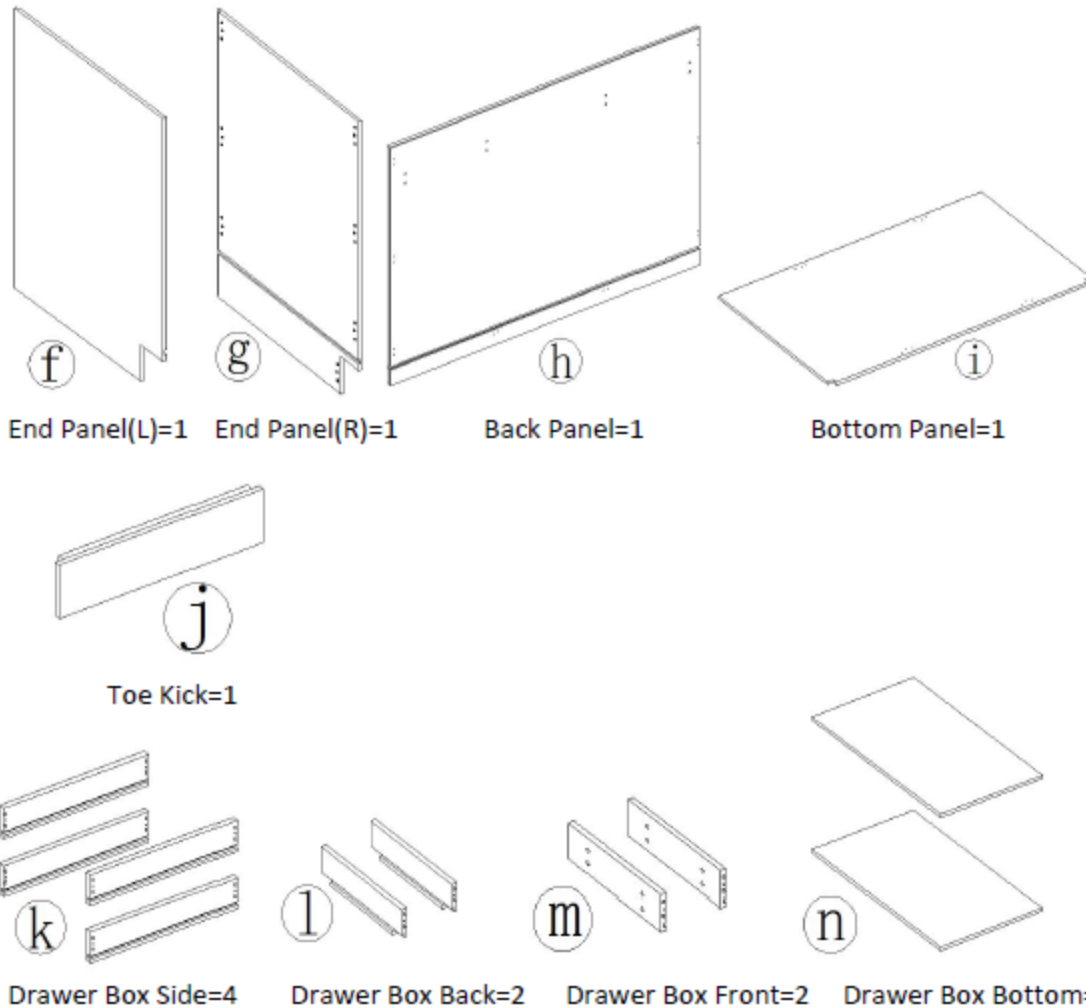
Plastic Triangle=4

Components

Front components

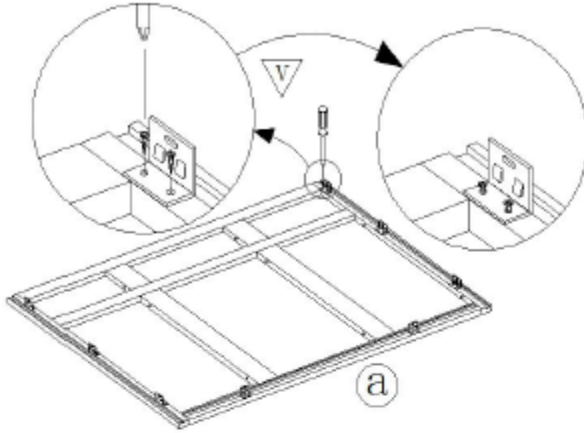


Cabinet components

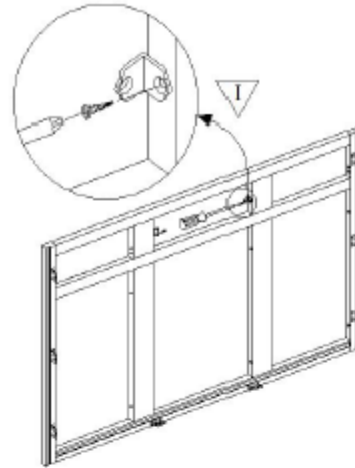


ASSEMBLY

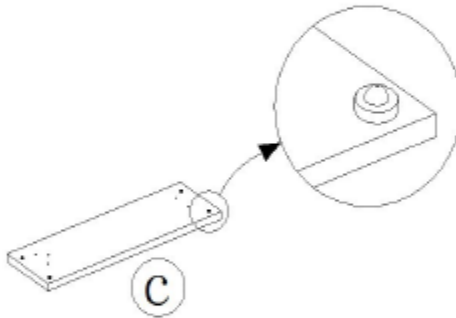
Step 1



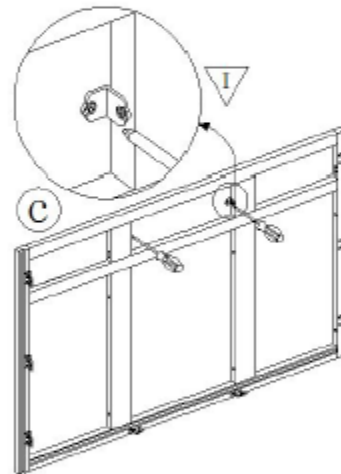
Step 2



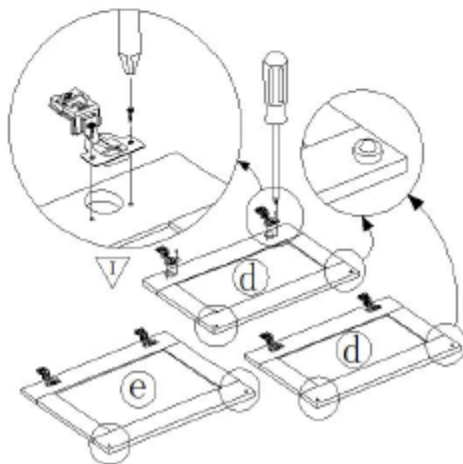
Step 3



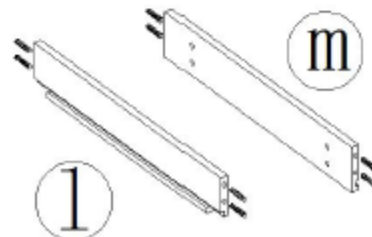
Step 4



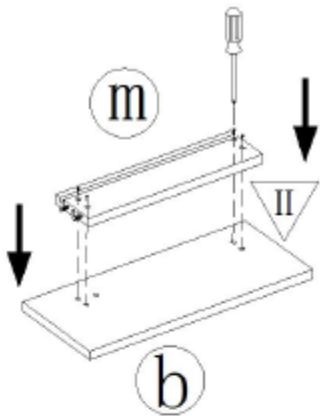
Step 5



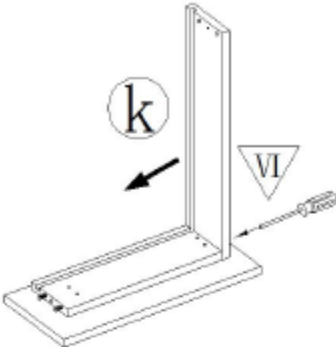
Step 6



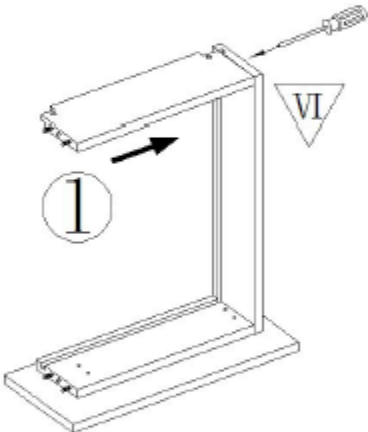
Step 7



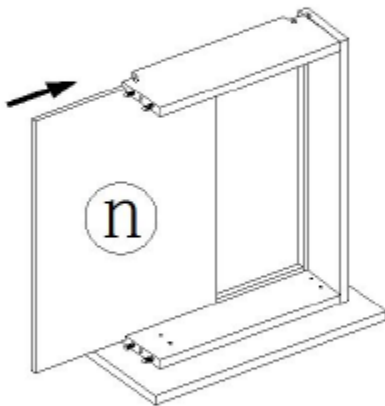
Step 8



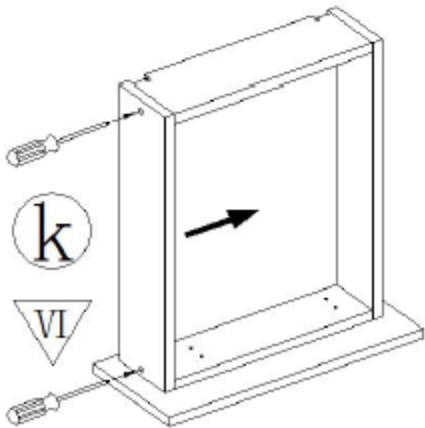
Step 9



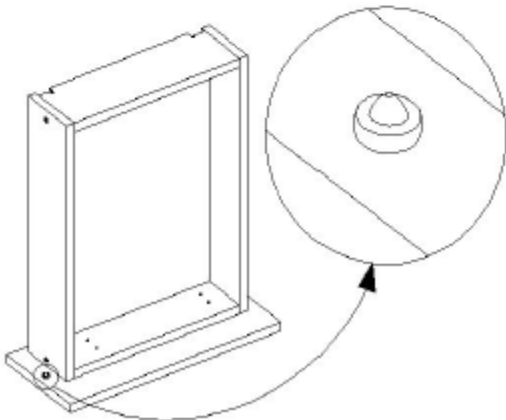
Step 10



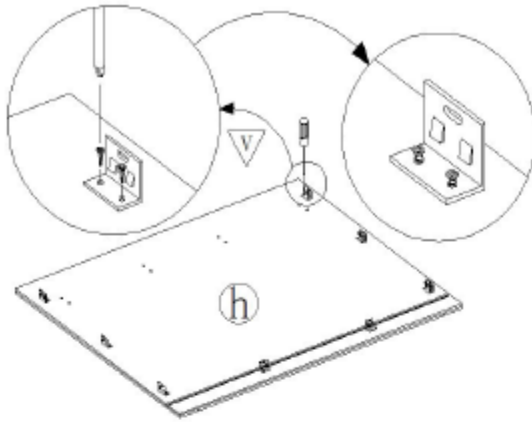
Step 11



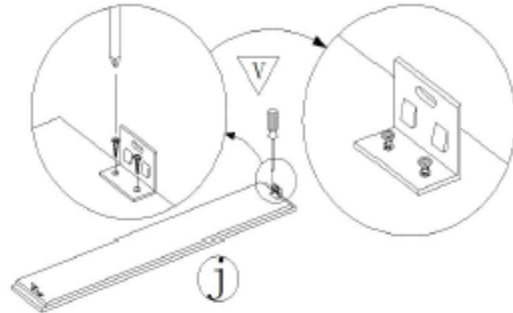
Step 12



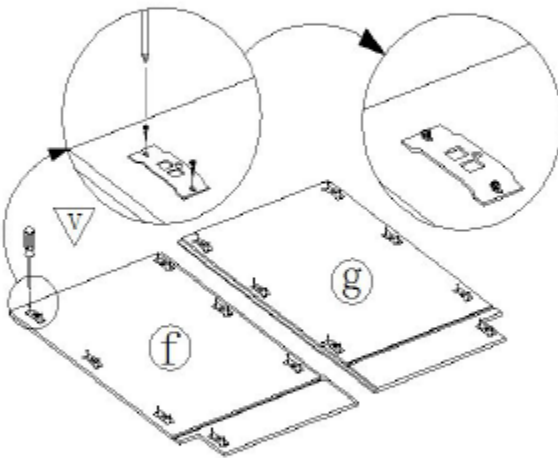
Step 13



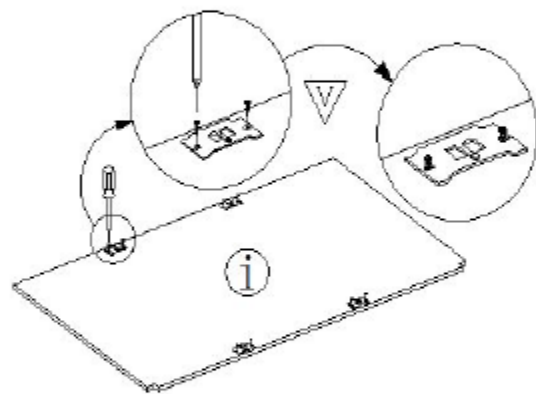
Step 14



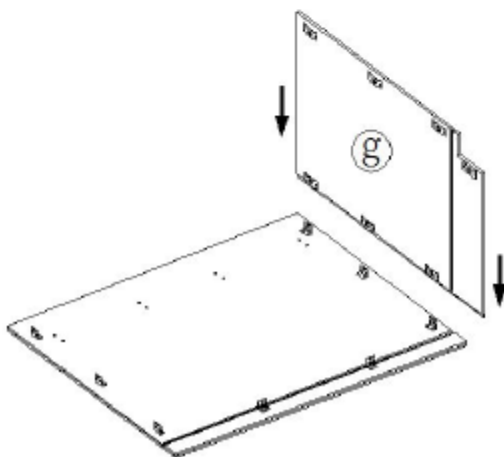
Step 15



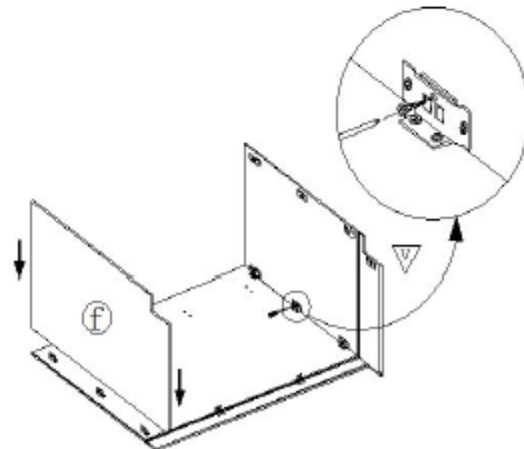
Step 16



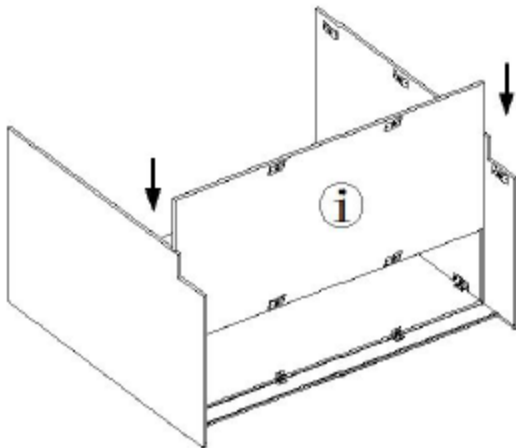
Step 17



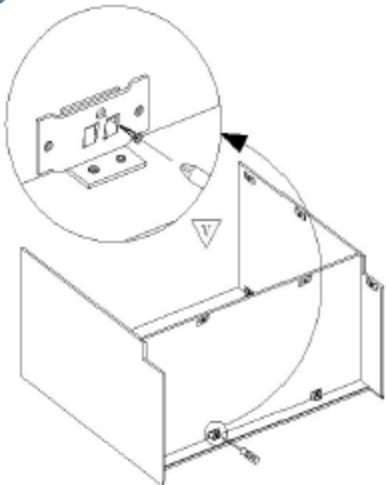
Step 18



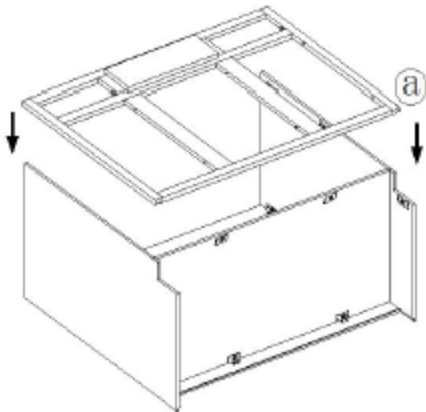
Step 19



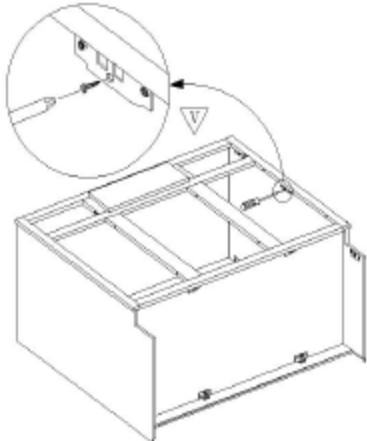
Step 20



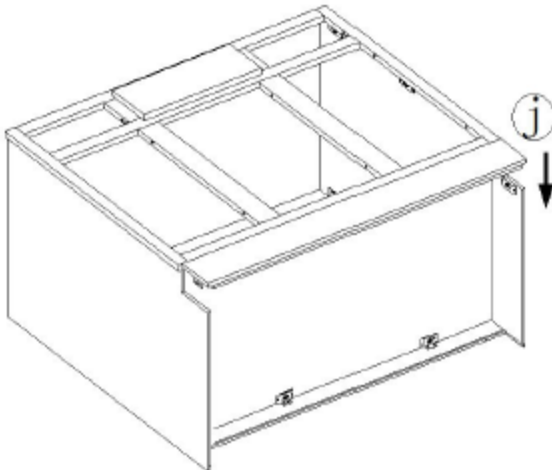
Step 21



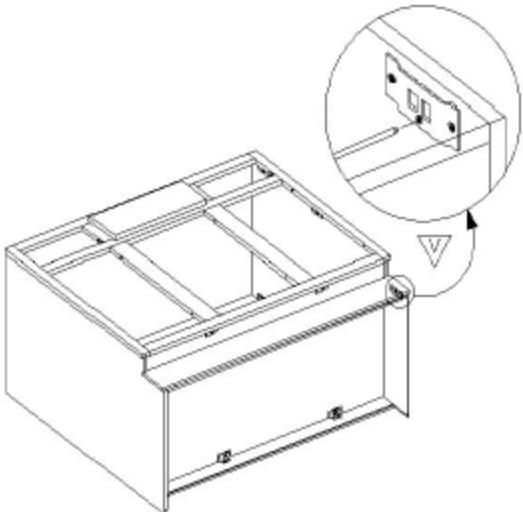
Step 22



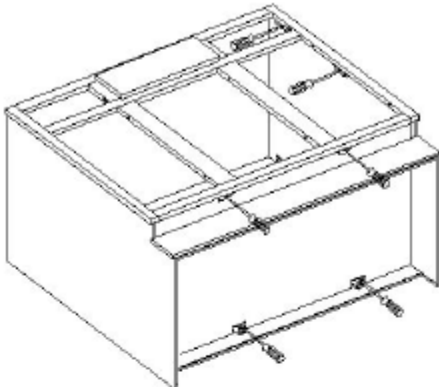
Step 23



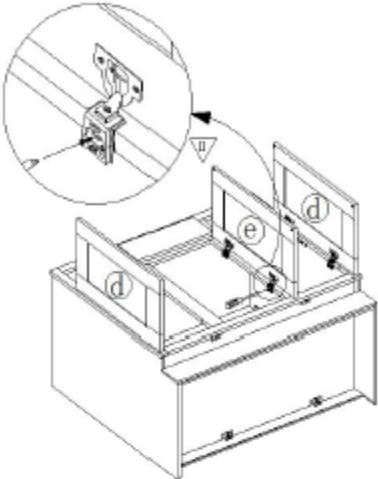
Step 24



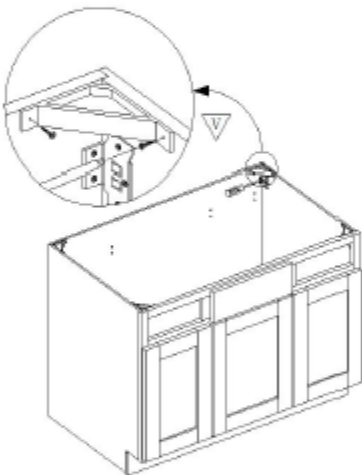
Step 25



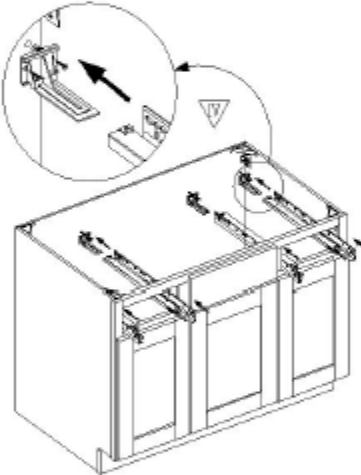
Step 26



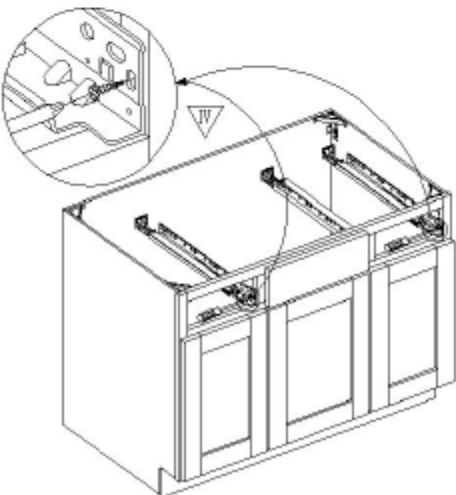
Step 27



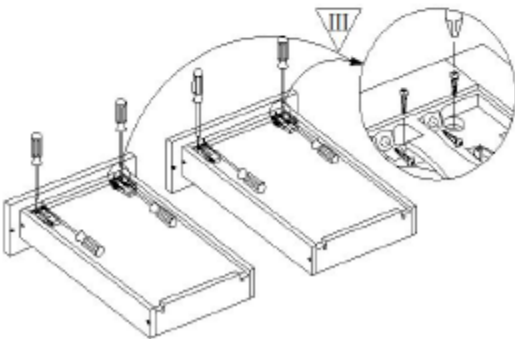
Step 28



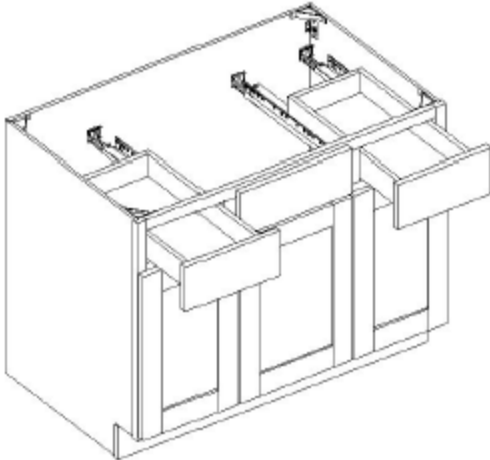
Step 29



Step 30



Step 31



Step 32

