

# MOLDING INFO

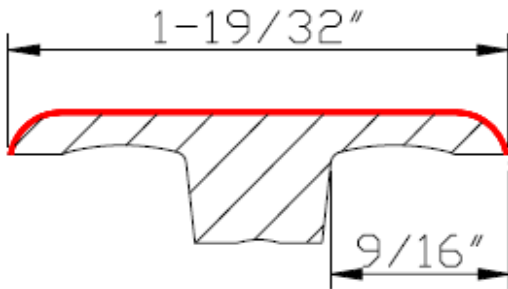
All moldings come complete with any required (plastic) tracks, shims, etc.

Our moldings are carefully selected to be the closest match possible to our flooring. While the moldings are considered complimentary colors to the flooring they will not be an exact match. It is typical of the laminate industry that laminate flooring moldings and laminate flooring are produced by different suppliers using similar but not identical colors and patterns.

## TECHNICAL INFORMATION

ALL MOLDINGS ARE 94" LONG (7' 10")

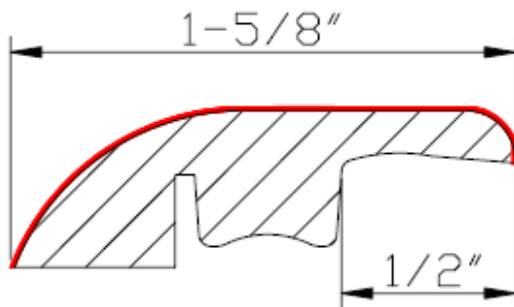
### T-Molding:



Surface Material: High Wear Resistant Laminate (aluminum Oxide Overlay)

Core Material: Moisture Resistant MDF

### Reducer:

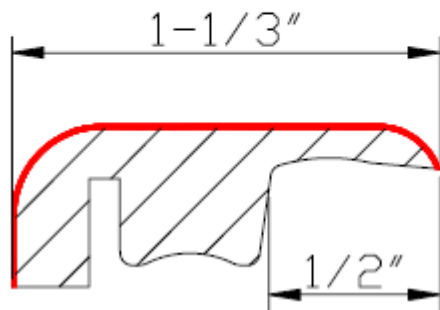


Surface Material: High Wear Resistant Laminate (aluminum Oxide Overlay)

Core Material: Moisture Resistant MDF

# MOLDING INFO

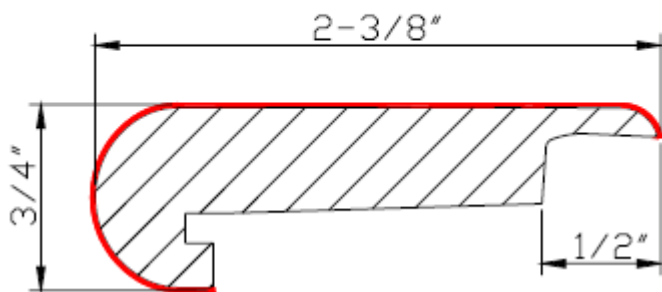
## End Cap ( Square Nose):



Surface Material: High Wear Resistant Laminate (aluminum Oxide Overlay)

Core Material: Moisture Resistant MDF

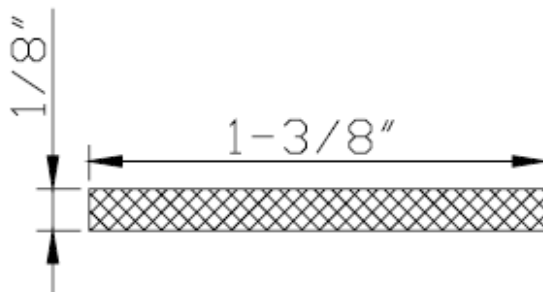
## Stair Nose:



Surface Material: High Wear Resistant Laminate (aluminum Oxide Overlay)

Core Material: Moisture Resistant MDF

## Shim:

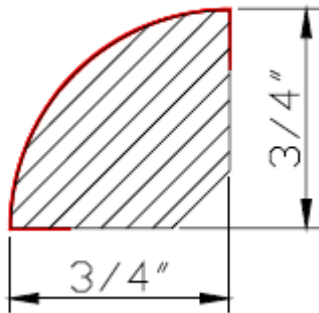


Core Material: MDF

To be used to raise the Stair Nose when used for a 12mm or 14mm Floor.

# MOLDING INFO

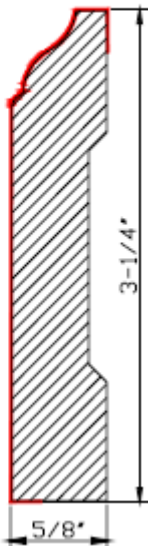
## Quarter Round:



Surface Material: Decorative Paper

Core Material: Standard MDF

## Wall Base:



Surface Material: Decorative Paper

Core Material: Standard MDF

## Thin Track



Material: impact polystyrene

To be used with T-Molding, Reducer and End Cap for floors from 7mm – 9.5mm thickness including 3/32<sup>nd</sup> underlayment.

## Thick Track



Material: impact polystyrene

To be used with T-Molding, Reducer and End Cap for floors from 9.5mm – 14mm thickness including 3/32<sup>nd</sup> underlayment.