



EP Decking Inc. Decking Installation Guide

www.epdecking.com



EP Decking Inc. Installation Guide

Calculating Material Requirements

To calculate how many EP Decking pieces you will need, start by calculating the square footage of your deck surface by multiplying length by width.

Once you know this number, divide it by the numbers provided below for 12', 16' and 20'.

Once you know the square footage number, divide it by 5.5 for 12' decking, 7.3 for 16' decking and 9.1 for 20' decking. When calculating the amount of decking you will need, it is recommended that you add 10% to the total.

Example: Length x Width = Total Square Footage Square Footage ÷ by 5.5 (12'), 7.3 (16') or 9.1 (20') = decking needed (Round the number up) + 10% = Final Number of decking needed.
(Round the number up)

Guide

To get information on other EP Decking products visit www.epdecking.com.

These installation guidelines will directly show you through the process of installing EP Decking products. Installers will find this process similar to the installation of a wood deck. However, there may be areas that differ from what you are used to.

These installation guides are recommended by EP Decking, but there are not cover every installation you may encounter. Since each installation is unique in its performance requirements, the ultimate installation method used is the sole responsibility of the installer. EP Decking recommends that all designs be reviewed by a licensed architect, engineer or local building official before installation. Make sure your plans meet local building codes before you begin the installation.

Tools Required

EP Decking can be installed with a minimum number of readily available tools. However, other tools are also available that can provide even greater efficiency and ease of installation. All tools should be used per applicable manufacturers' instructions. Some of the basic tool requirements:

- Cordless Driver • Carpenter Square
- Chalk Line • Spacing Tools
- Tape Measure • Circular Saw
- Jig Saw • Safety Glasses

Use the jigsaw to cut around obstructions such as posts. A power miter saw can also be very helpful during installation.

For a power miter or compound power miter saw a fine finish alternate top bevel blade is also recommended. When working with EP Decking products are sure to wear proper clothing and safety equipment. Safety glasses should be used during the entire installation process.

EP Decking does not recommend the use of rubber or vinyl products (welcome mats, planters, etc.) on our deck planks.

A reaction can occur that causes discoloration of the decking under the rubber/vinyl product. This is a common caution for vinyl decking products.

Extreme Heat Warning

Be aware of excessive heat on the surface of EP Decking products from external sources such as but not limited to fire or reflection of sunlight from energy efficient window products. Low-emissivity (Low-E) glass can potentially harm EP Decking products. Low-E glass is designed to prevent passive heat gain within a structure and can cause unusual heat build-up on exterior surfaces. This extreme elevation of surface temperatures, which exceeds that of normal exposure, can possibly cause EP Decking products to melt, sag, warp, discolor, increase expansion/contraction, and accelerate weathering. Current or potential EP Decking customers that have concerns about possible damage by Low-E glass should contact the manufacturer of the product which contains Low-E glass for a solution to reduce or eliminate the effects of reflected sunlight.

Gapping Requirements

- Side to side plank gapping must be minimum 1/8” to maximum 5/32”
- Gap planks a minimum 1/8” to 3/16” side-to-side
- Allow 3/16” minimum gap where the planking meets any adjoining structure or post.
- Follow these butt joint gapping guidelines for all EP Decking planks:

To calculate expansion, multiply the number of inches of the board by the change in temperature in degrees Fahrenheit by the decimal .000045.

$$200'' \times 100^\circ \times .000045 = .90''$$

In the example above, you see that a 16ft board will change 0.9'' in length from the cold of winter to the heat of summer.

Butt Joint Gapping Requirements		
32 °F and below	33 °F to 74 °F	75 °F and above
3/16" gap (4.76mm)	1/8" gap (3.18mm)	1/32" gap (0.78mm)

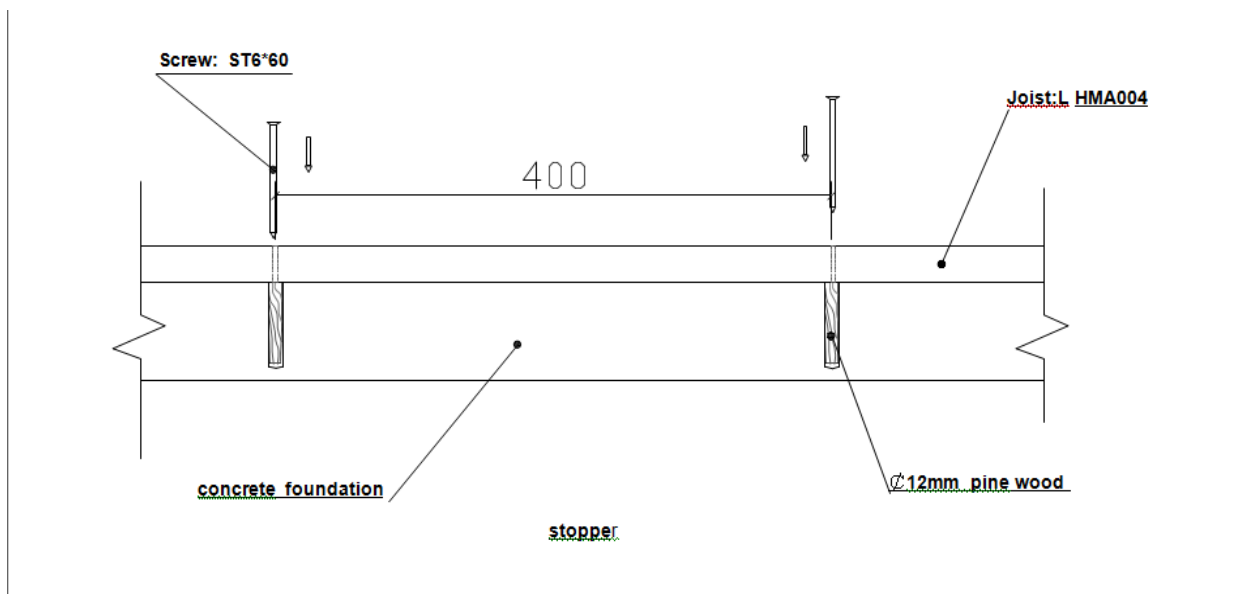
Joins Spacing

Joins Spacing	12''	14''	16''
Decking Code	PUH01,PWH03	PUH02,PUH07,WH01,PWH02	PUS01,PUS02,PUS07, PWS01,PWS02,PWS03,PWS04

Layout and install joists at either **16-inch (40cm) on center (OC)** when decking will be installed perpendicular to the joists, or **12-inch (30cm) (OC)** when deck boards will be installed diagonally or at an **angle** to the joists. Joists must be level.

Installation Process:

Joist



1, Using percussive drill or electric hammer to drill hole on concrete ground along the length of the joist, the size of the hole is $\Phi 12\text{mm}$, the depth is 60mm, every 40cm drill one hole (less than 40cm also drill one hole)

2, beat pine wood stopper into the concrete hole:

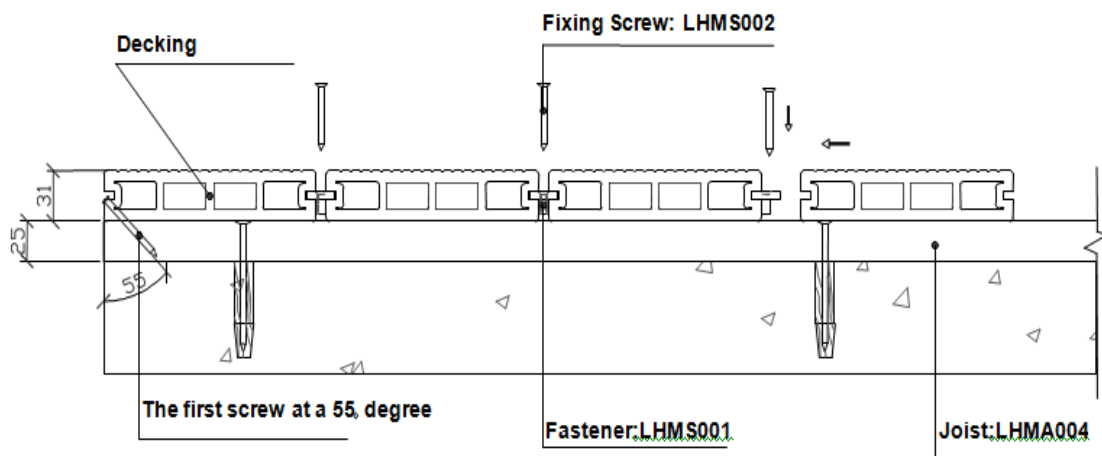
3, placed the joist(model: LHMA004) on corresponding place, and drill hole on the joist, the place of the joist hole is same as the concrete hole, the joist hole size is $\Phi 4.5\text{mm}$, the depth is 60mm.

4, use ST 6*60 fixing screw to fix the joist.

Note:

- The maximum joist spanning $\leq 300\text{mm}$ (11.81") , less than 300mm (11.81") equal to 300mm (11.81")
- The joists installation should be flatly; no obvious concave, convex and crack.
- The length of joists $\leq 3\text{m}$ (118").

Decking



1, the first floor should be placed horizontally, then fix its outward side with fixing screw (LHMS002) at a 55° angle, every place where cross with the joist all must be fixed.

2, from the second floor, use fastener (model LHMS001) to fix the floors; the fixing way as following: at first insert one side of the fastener (put the bigger end of the fastener upwards, and the fastener hole vertical with the ground) into the groove of the first floor, then close one side of the second floor to the first line of fasteners, insert the second line of fasteners (the fasteners' quantities are same as the joists' quantities) to another side of the second floor, then close the third floor; repeat this process.

3, after continually put about 8 floors, then use fixing screws (model: LHMS002) to fix the fasteners on the joists.

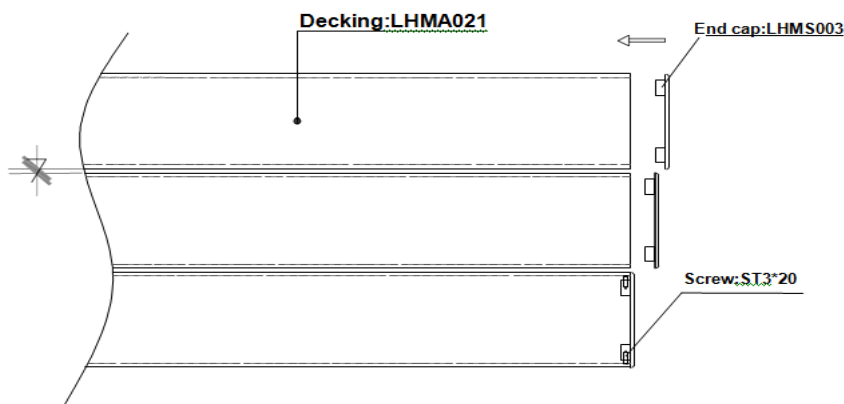
4, repeat process of 2 and 3, after installed all of the floors, the fixing of the final floor is same as the first floor, use fixing screw (LHMS002) to fix at a 55° angle.

Note

A. Before fixed the fixing screws (model: LHMS002), it is necessary to drill holes on the joists (model: LHMA004), the size of the holes is $\Phi 3.2\text{mm}$ (0.13"). (If you don't use our fixing screws, but use other screws, then it is better if the holes' size is 0.75 times of the screws' diameter.

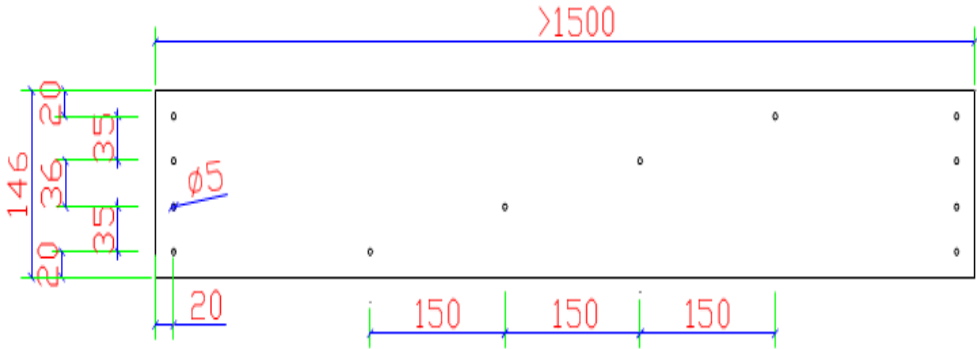
B. When installing, usually the length of floor $\leq 1.8\text{m}$ (70").

C. The end of floor could be sealed by matched end cap (model: LHMS003), you also can choose other materials as skirt (fascia board) according to actual application. Please see picture C.1.



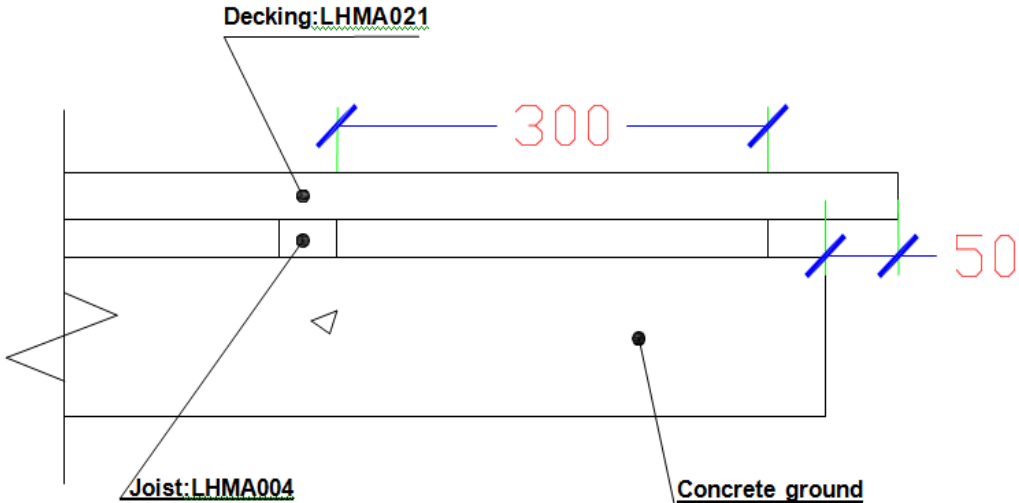
Picture C.1

D. If two ends or one end of floor were sealed by end cap, it is need to drill holes at the bottom of floor for leaking water; the size of the hole is $\Phi 5\text{mm}$ (0.2"). The positions of the holes please see Picture-D.1.



Picture D.1

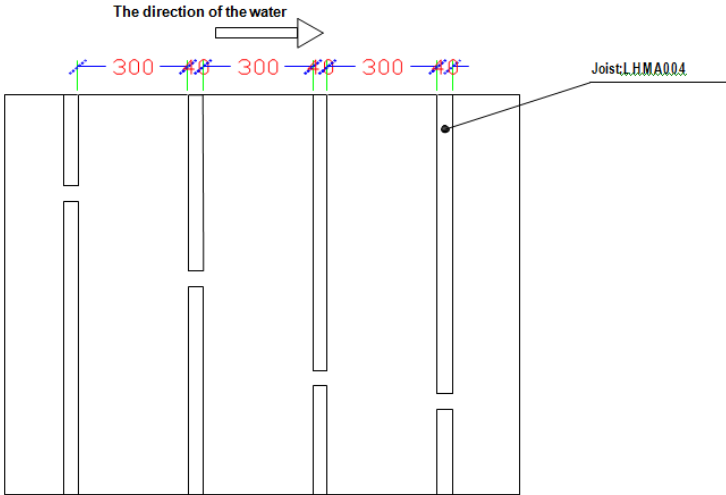
E. the maximum length of floor out of joist should $\leq 50\text{mm}$ (2") (please see picture E.1 matched end cap to seal the end).



Picture E.1

F. if you want to install the floor on roof, please assure the fixing screw for the joist would not destroy the waterproof layer of the roof.

G. please assures the concrete foundation has certain slope before install the floor, so that it is easy to drain. If joists are vertical with the current way, it is need gap when install the joists, and the gaps must be stagger so that it is easy to drain (please see [Picture-G.1](#)).



Picture G.1

EP Accessory

Clip (Model: LHMS431)



Fixing Screw (Model: *ST4x38)

