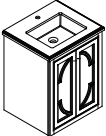
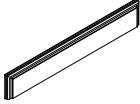



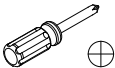
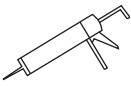
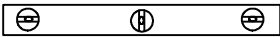

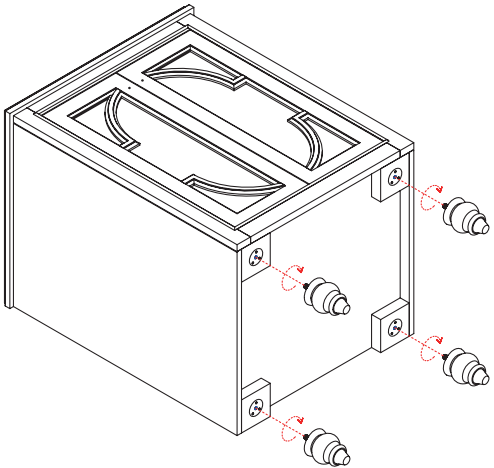
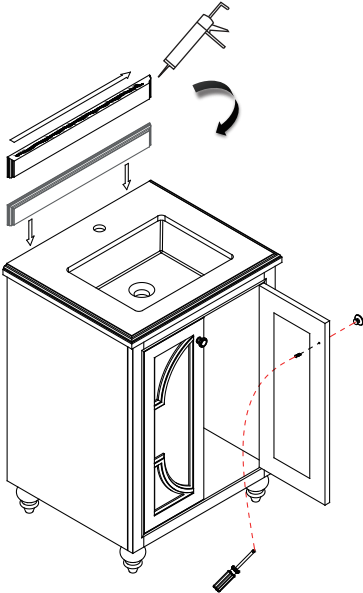
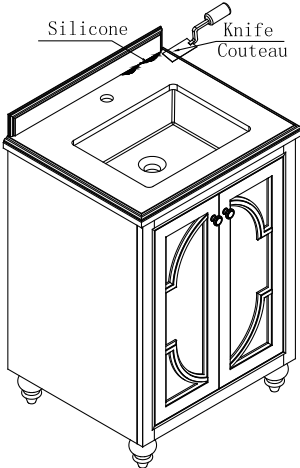


## Model: Odyssey - 24"

### Installation Instructions

**Notes:** We recommend that you rough-in the drain and water lines after receiving the unit.  
 The vanity should be installed by a professional plumber.  
 Drainer pipe and trap are not included.  
 If you experience any difficulties with this product, do not return to the point of purchase. Please contact LAVIVA directly at [support@lavivaforlife.com](mailto:support@lavivaforlife.com), and we will help resolve your issue.

	A (cabinet)	B (backsplash)	C (screw)	D (handle)	E (foot)
Part List	 x1	 x1	 x2	 x2	 x4
Tools required	 screwdriver(phillips)	 silicone	 level	 tape measure	
<b>Step 1</b>					
<b>Step 2</b>					
<b>Step 3</b>					
<b>Step 4</b>	